

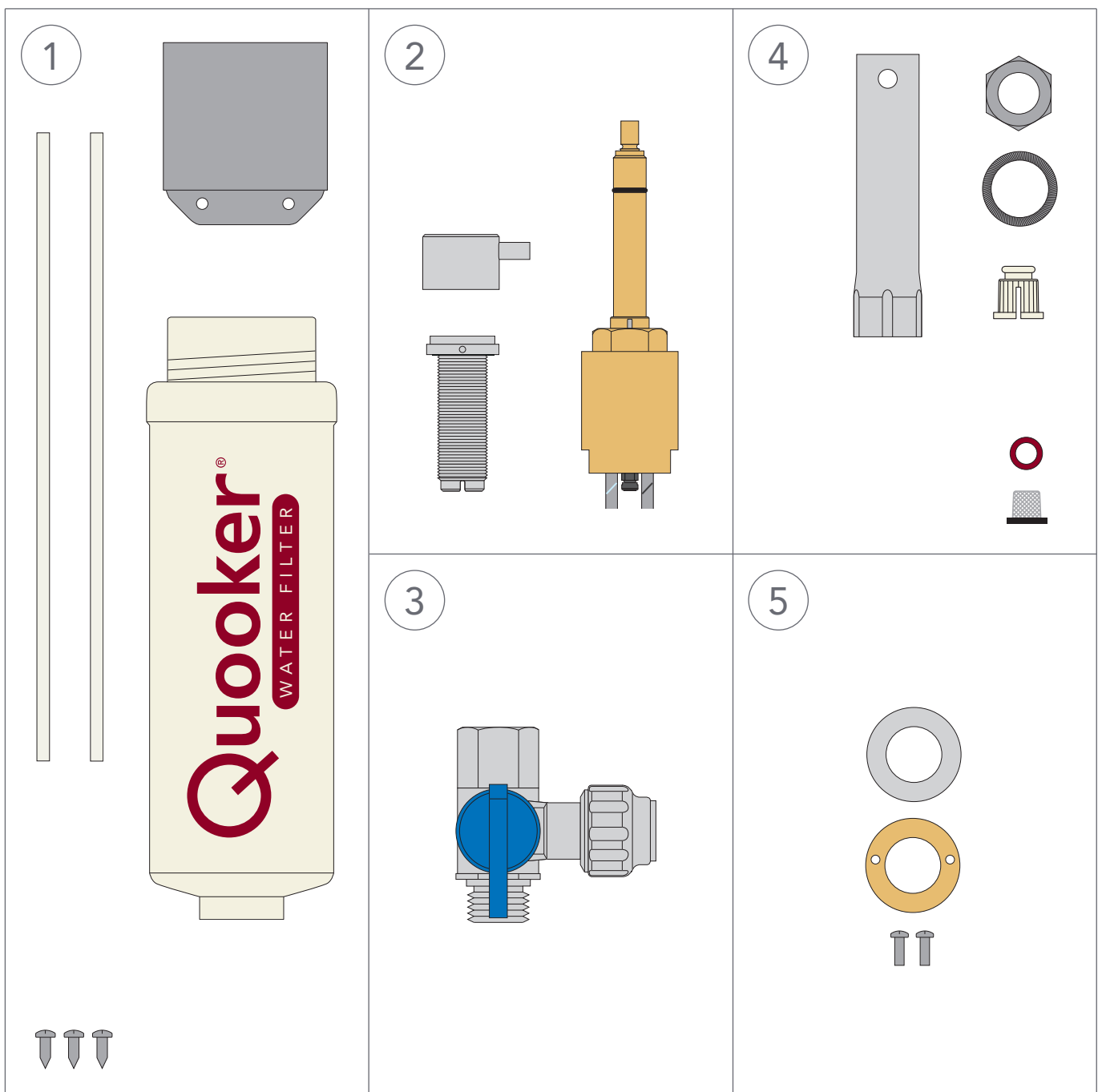
Installation guide water switch including filter

Before installing read this guide first



Contents of the pack

1. Bracket, water filter, two tubes and three screws
2. Switch handle, switch body and diverter valve
3. T-valve 3/8"
4. Socket wrench, nut, lock washer, plastic cap, fibre washer and hose screen
5. Metal ring, brass nut and two screws

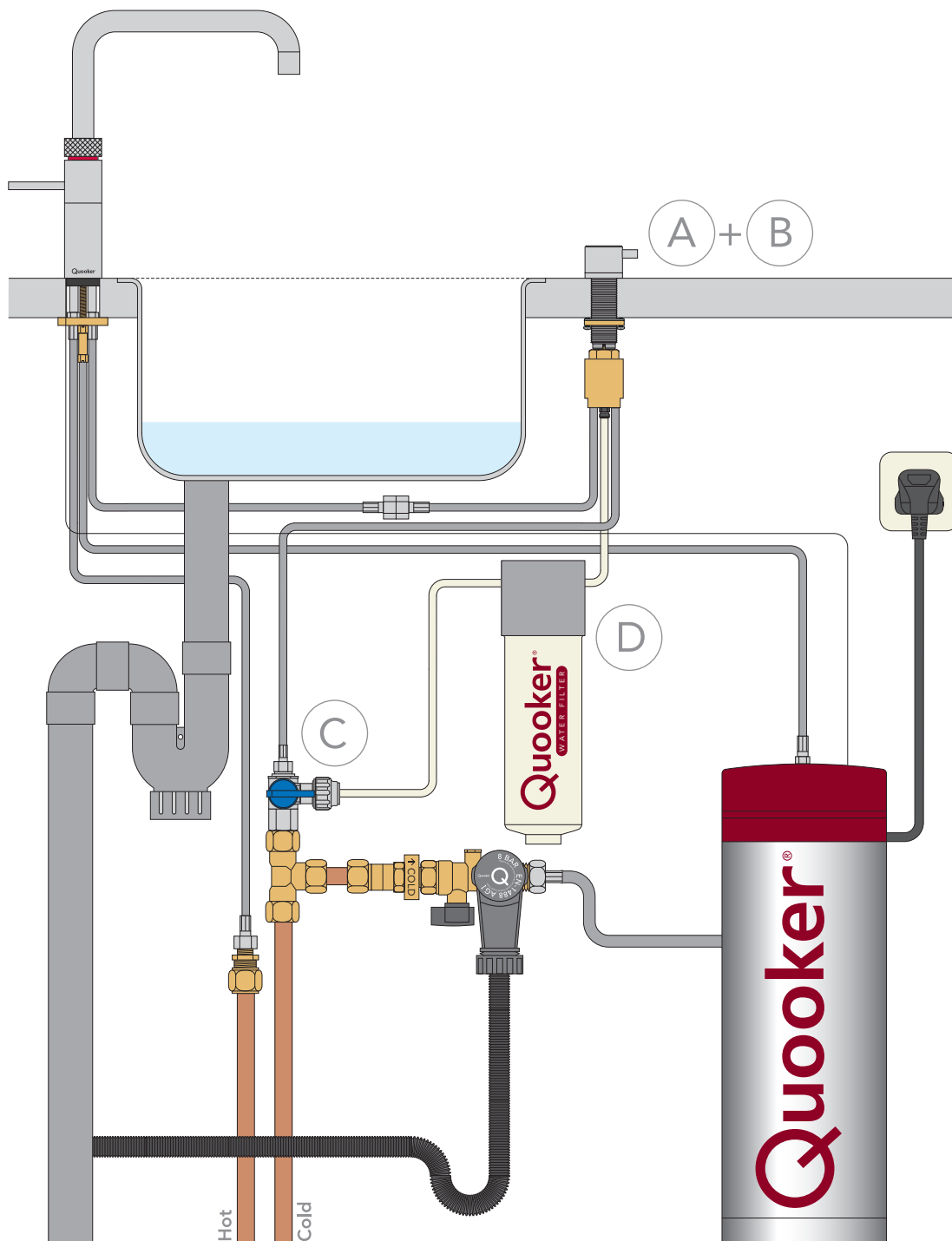


Overview of water switch / filter installation

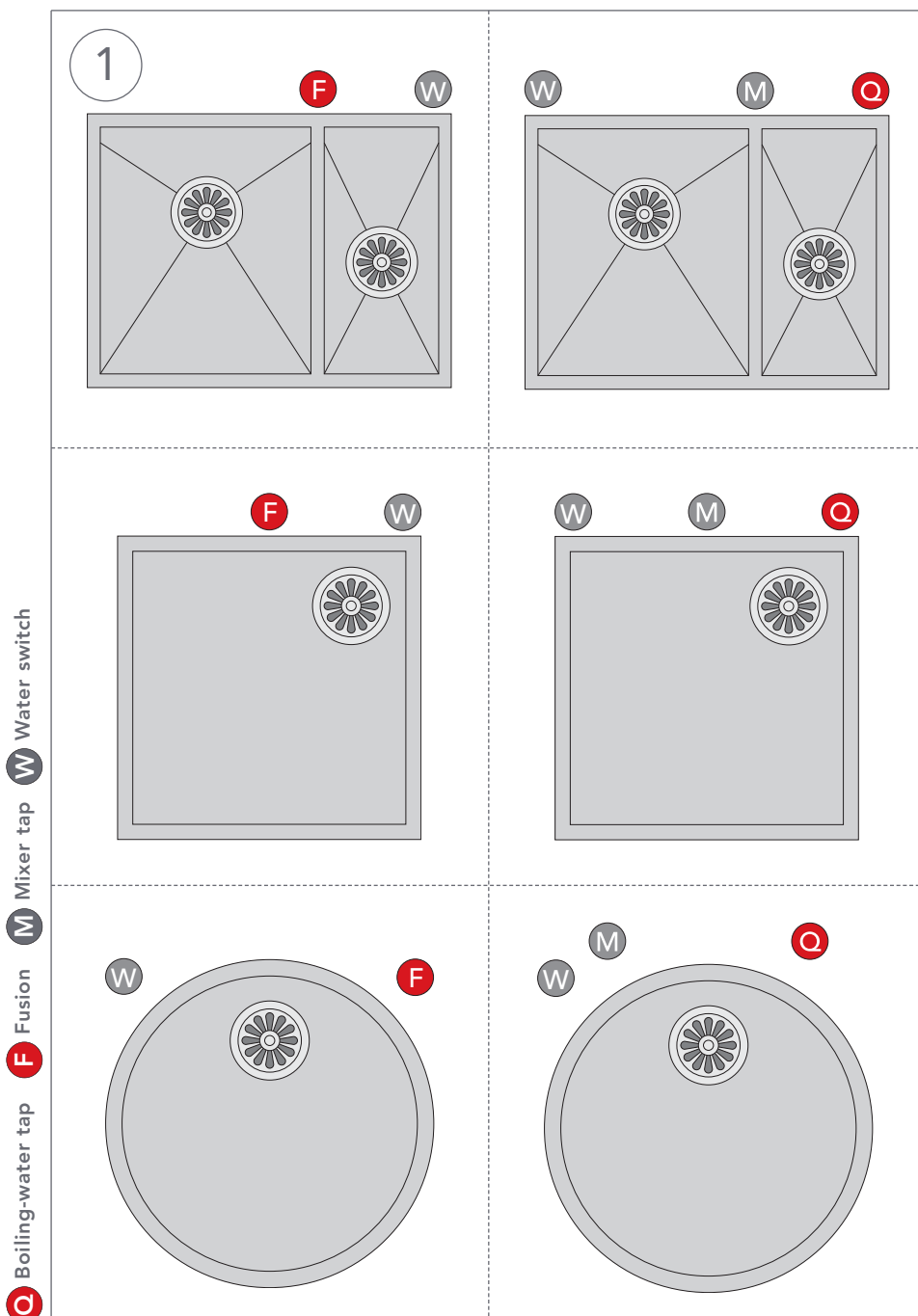
It is recommended that you install the water switch and water filter in the following order:

- A. Drilling hole
- B. Fitting water switch
- C. Connecting water
- D. Connecting water filter

Please note: Bear in mind that the water filter cartridge must remain accessible for replacement.



A Drilling hole



1 Selecting water switch position

Select a suitable position for the water switch based on the type of sink and position of the tap.

To drill the hole for the water switch, use the correct drill bit and drill a hole of 25 mm through the worktop.

Measurements water switch

Height: 30 mm

Base diameter: 35 mm

Hole diameter: 25 mm

Measurements water filter

Height: 245 mm

Diameter: 77 mm

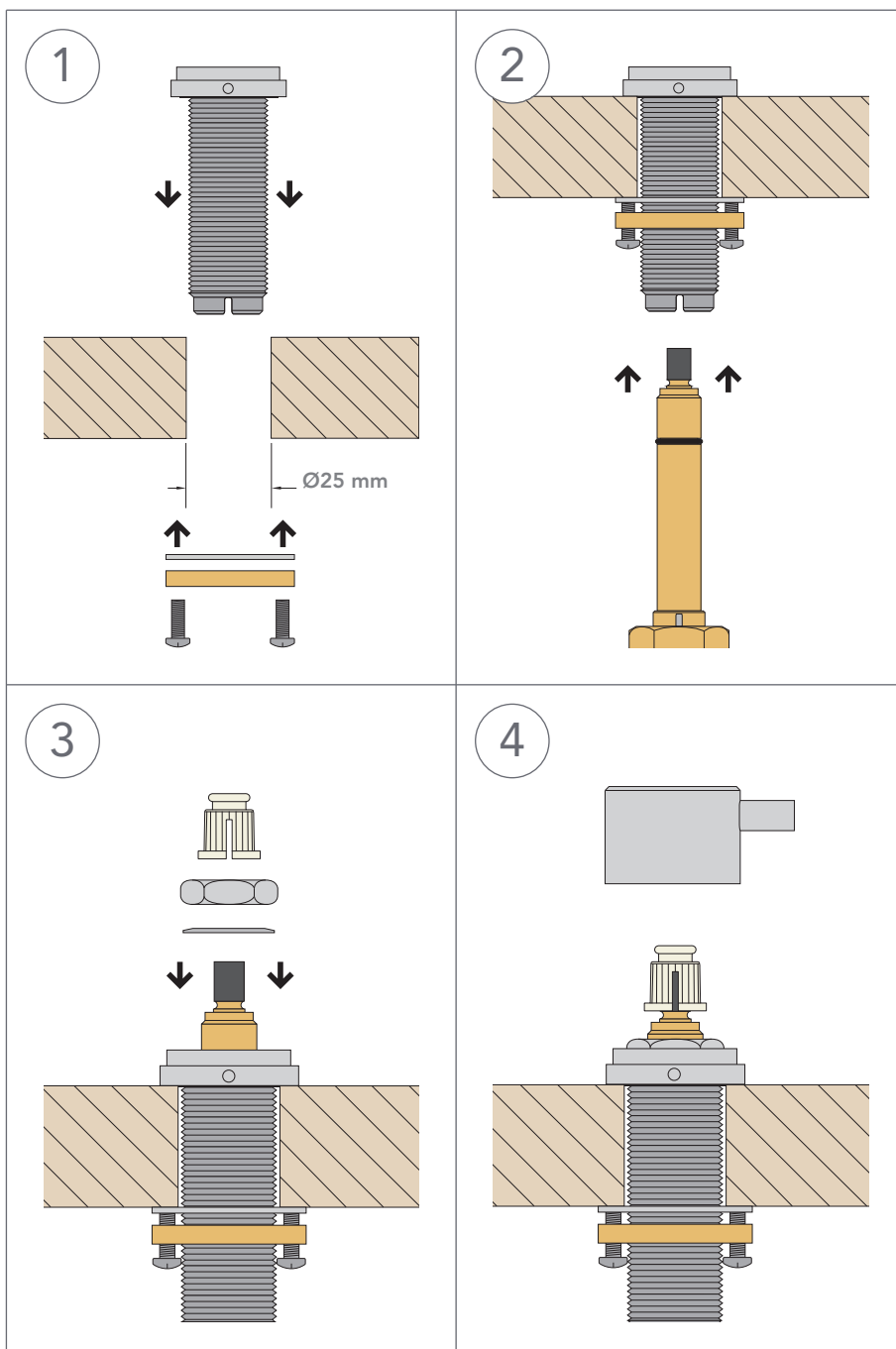
Pressure

minimum pressure: 2.75 bar

maximum pressure: 8.6 bar

B

Fitting water switch



1 Fitting the switch body

Push the switch body through the hole with the small notch and O marking facing forward. Mount the metal ring and the brass nut on the switch body and tighten them with the supplied screws.

2 Fitting the cartridge

Push the diverter valve through the switch body and rotate the diverter valve until the pin of the diverter valve falls into the notch.

3 Securing the diverter valve

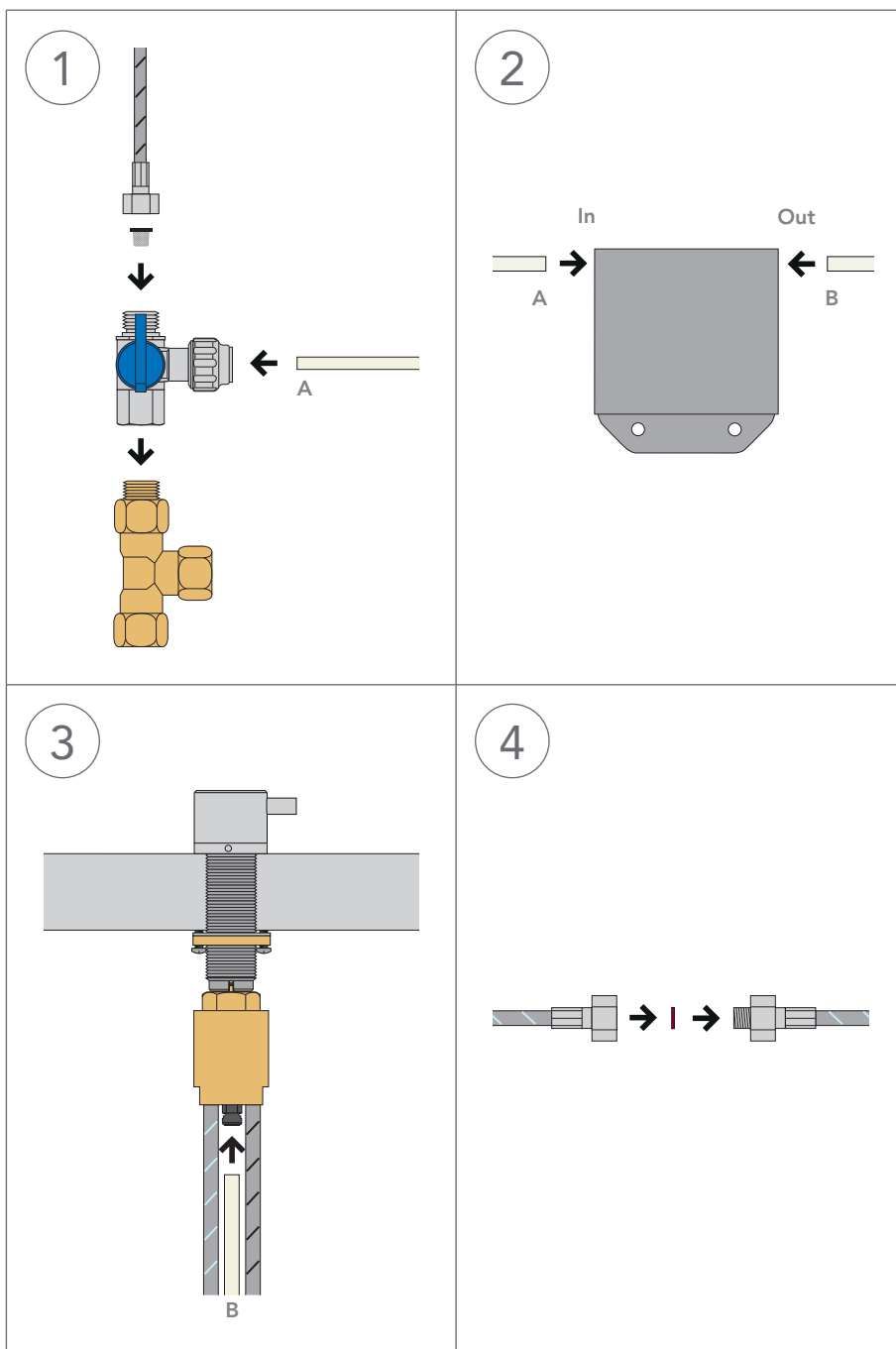
Place the lock washer and the nut on the diverter valve. Use the socket wrench to hand tighten the nut. Then put the cap on the diverter valve.

4 Fitting the knob

Lightly push the switch handle in place and turn in clockwise until it will not turn any further. Now pull off the switch handle and reposition it facing the pin sideways. Firmly push the handle down until you hear a click.

C Connecting water

- If you are fitting the water switch to an existing Quooker, switch off the Quooker by pressing the 'Q' button at the top of the tank. Leave the plug in the socket.
- Please note: The plastic hoses connect to push fittings. No extra sealants are required. When connecting the metal hoses, only the supplied washer and hose screen should be used. Do not use any liquid sealants.



1 Connecting the T-valve

Shut off the main water supply.
Disconnect the Fusion or mixer tap's cold water supply hose. Connect the T-valve to the cold water supply. Connect the hose with the black stripes to the T-valve using the supplied hose screen and push plastic hose (A) firmly into the T-valve.

2 Connecting the bracket

Push plastic hose (A) firmly into the inlet marked "IN" on the bracket.
Push plastic hose (B) firmly into the outlet marked "OUT" on the bracket.
Mount the bracket using the supplied screws.

3 Connecting the water switch

Push plastic hose (B) firmly into the diverter valve.

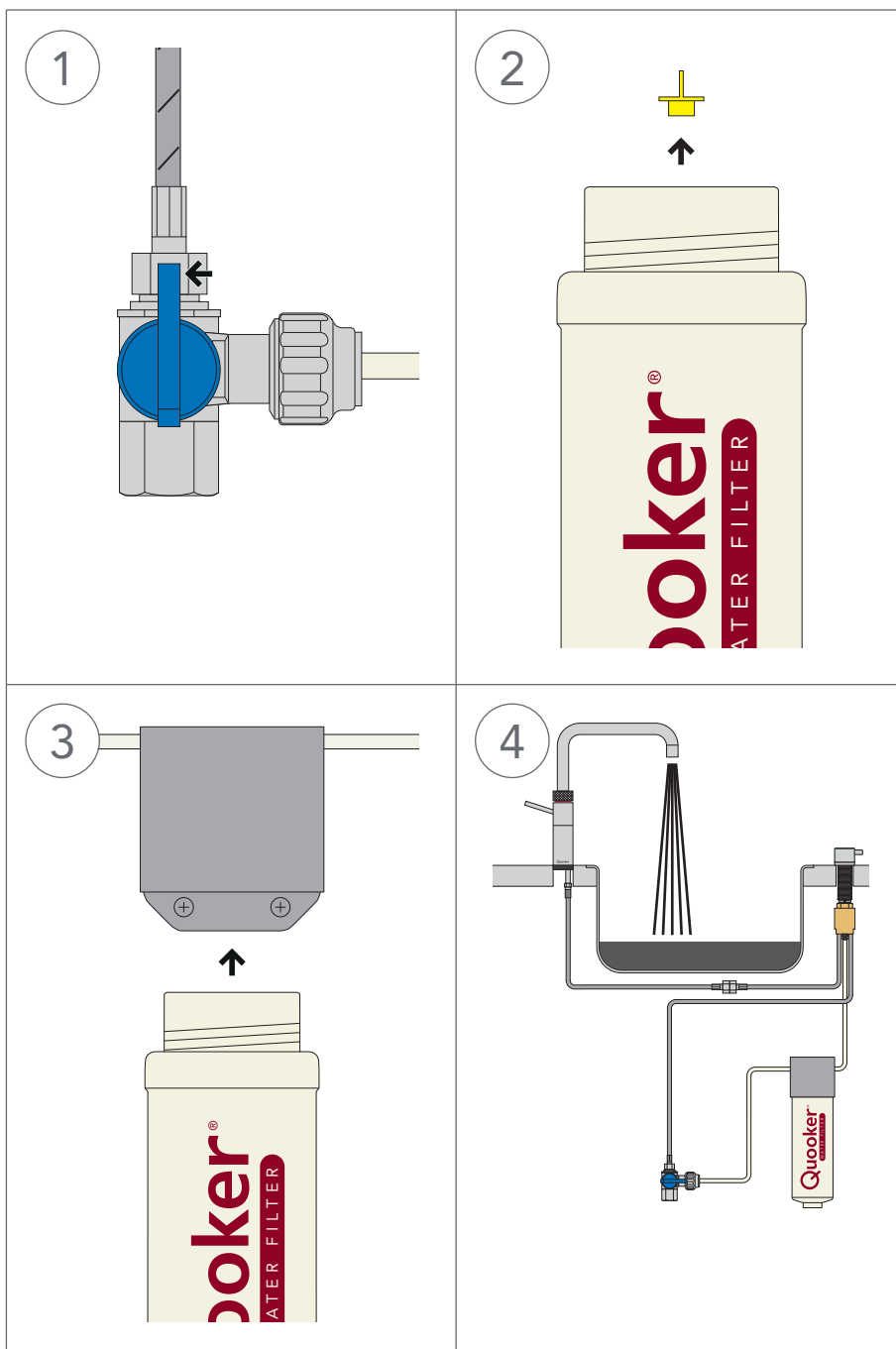
4 Connecting the blue hose

Connect the hose with the blue stripes to the Fusion or mixer tap's cold water supply hose using the supplied fibre washer.

D

Connecting water filter

- The lifespan of a new water filter cartridge is six months.



1 Switching off the T-valve

Switch off the T-valve by turning the blue handle in line with the main water flow.

2 Preparing the cartridge

Remove the yellow plug from the water filter cartridge.

3 Fitting the cartridge

Screw in the cartridge until seated. Do not overtighten.

4 Flushing the cartridge

Switch on the water supply and check for leaks. Switch on the T-valve. Please note that the flow rate of the filtered water will be significantly lower than the unfiltered water. Turn the switch handle to the filtered water position (○). Turn on the mixer tap and run the water until it is clear. Black water will flow out initially. This is Norit carbon from the filter and completely harmless.



www.quooker.co.uk