

Installation guide PRO3-VAQ

Before installing read this guide first



Introduction

The operation of the Quooker

The Quooker system consists of a small tank under the sink which is connected to the boiling-water tap. This tank is connected to the water by a so-called inlet combination. The water is heated electrically to approx. 110°C and is kept at this temperature. When boiling water is drawn off, cold water flows into the tank at the same time and is automatically heated. Before the water leaves the tank it is purified by the HiTAC® water filter (High Temperature Activated Carbon). If the entire content is used in one go the heating time is ten to fifteen minutes, depending on the electrical power (see technical specifications). Different tanks are available: the PRO3-VAQ (1600 W) and the PRO7-VAQ (3000 W). All Quooker taps are fitted with a childproof push-and-turn handle and are also vertically adjustable and insulated.

Despite all the safety features incorporated in the product, anyone using the Quooker system must keep in mind the risks of using boiling water in general. Incorrect use can lead to injury. Therefore always read the manual carefully before use.

Installation, maintenance and warranty

The Quooker can be installed wherever there is a water supply and a socket. The Quooker comes with a handy installation kit (including the required inlet combination) for easy fitting, and is maintenance-free. The HiTAC® filter cartridge has to be replaced about once every five years, when any lime scale that has built is also removed from the tank.

The warranty period is two years and covers supply of parts only. This does not include labour costs.

Please note, that under no circumstances should the Quooker be connected to a descaling system that reduces the pH level of the water as this will void the warranty.

Users

The Quooker tap can be used by children above the age of eight and people with diminished physical, sensory or intellectual abilities provided they are supervised or have been instructed on the safe use of the device. Inform people who are unfamiliar with the Quooker system about safe use and the possible dangers associated with the use of the boiling-water tap. Please note: incorrect use may result in injury. Prevent children from using the tap as a toy and do not allow children to clean or maintain the product unsupervised. Keep the plug out of reach of small children.

The Quooker system is suitable for household use and commercial use such as in staff kitchens at shops, offices, farms and other business premises and for use by visitors at hotels, motels, bed & breakfasts and other residential accommodation.

Always follow the installation method described in the manual. Avoid spilling water on the plug. If defective, the power plug may only be replaced by a qualified technician. Water may drip from the pressure relief valve. This is normal. Always leave the grey funnel of the pressure relief valve open.

The pressure relief valve must be serviced regularly to prevent lime scale build-up and to check that the valve has not blocked up. Make sure you let the tank cool off adequately before disconnecting it. The fastest way to do this is as follows: turn off the Quooker, but leave the plug in the socket. Then open the boiling-water tap and turn it off once the water is cold. You can find a more detailed explanation for disconnecting the tank in chapter F.

Tips for use and the installation manual can also be found on our website: www.quooker.co.uk

Declaration of conformity

Quooker B.V., Staalstraat 13, 2984 AJ Ridderkerk (The Netherlands) herewith declares, on our own responsibility, that the products Quooker PRO3-VAQ and PRO7-VAQ are in accordance with the conditions of the following Directives:

- 2006/95/EC Low voltage Directive
- 2004/108/EC Electromagnetic Compatibility Directive
- 2014/68/EU Pressure Equipment Directive

and are in conformity with the following standards:

EN60335-1:2012 + A11:2014

EN60335-2-15:2002 + A1:2005 + A2:2008 + A11:2012

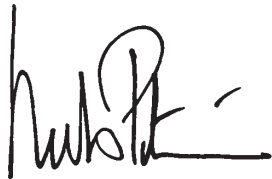
EN62233:2008

EN55014-1:2006 + A1:2009 + A2:2011

EN55014-2:1997 + A1:2001 + A2:2008

EN61000-3-2:2014; EN61000-3-3:2013; EN61000-4-2:2009; EN61000-4-3:2006 + A1:2008 + A2:2010; EN61000-4-4:2012; EN61000-4-5:2014; EN61000-4-6:2014; EN61000-4-11:2004

The Netherlands, Ridderkerk, 12-02-2016



Niels Peteri, Director

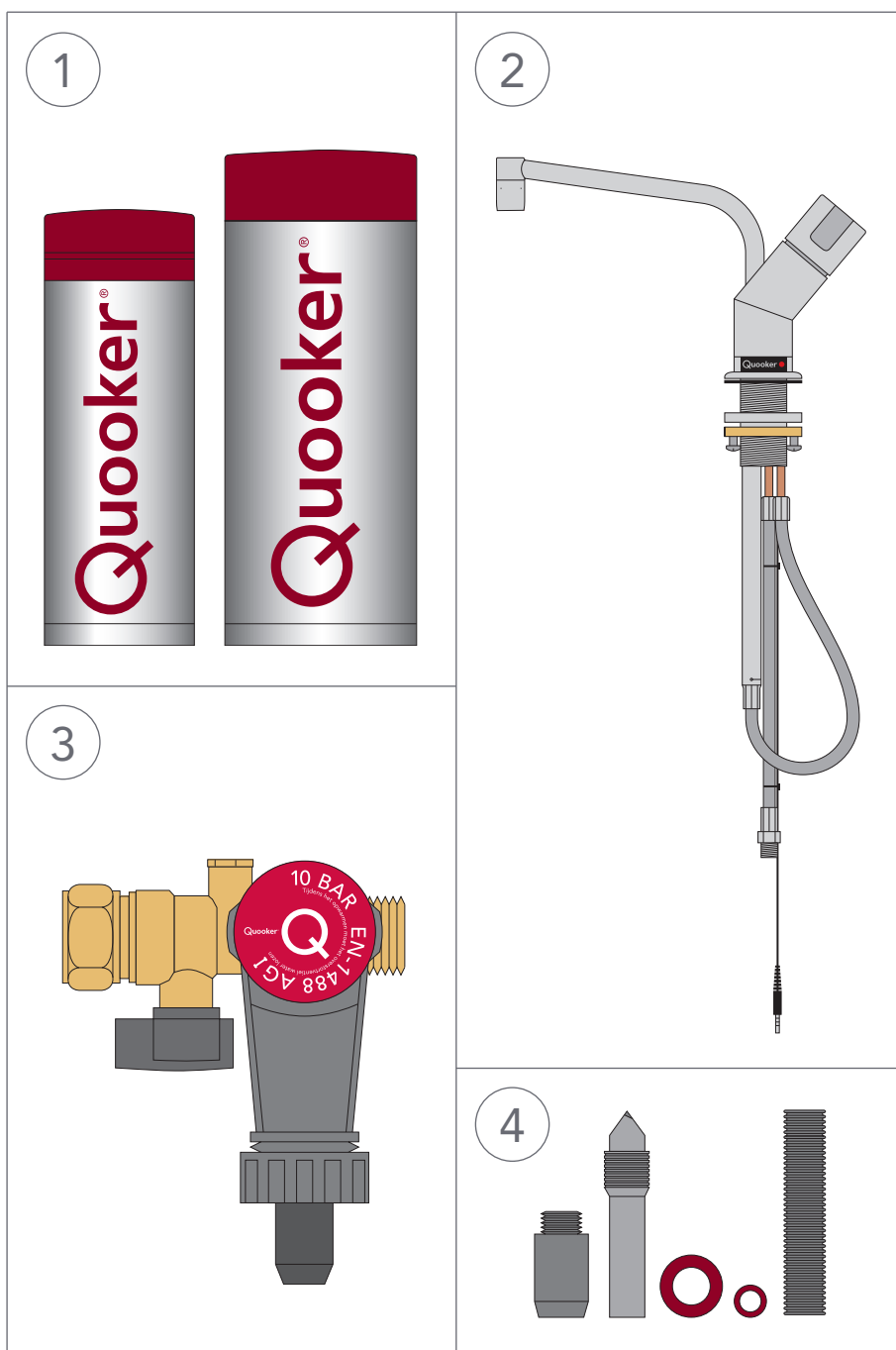
Technical specifications

Tank	PRO3-VAQ	PRO7-VAQ
Voltage	230 V	230 V
Wattage*	1600 W	2900 W
Capacity	3 litres	7 litres
Heating-up time*	10 minutes	15 minutes
Standby power consumption*	10 W	10 W
Tank height	40 cm	47 cm
Tank diameter	15 cm	20 cm
Tap hole size	32 mm	32 mm
Min. mains pressure	200 kPa (2 bar)	200 kPa (2 bar)
Max. mains pressure	800 kPa (8 bar)	800 kPa (8 bar)
Max. working pressure	1000 kPa (10 bar)	1000 kPa (10 bar)
Mounting bracket optional	yes	yes
Safety features	- maximum temperature fuse - pressure relief valve 1000 kPa (10 bar)	
HiTAC® water filter	High Temperature Activated Carbon	

*These are average values.

Content of the pack

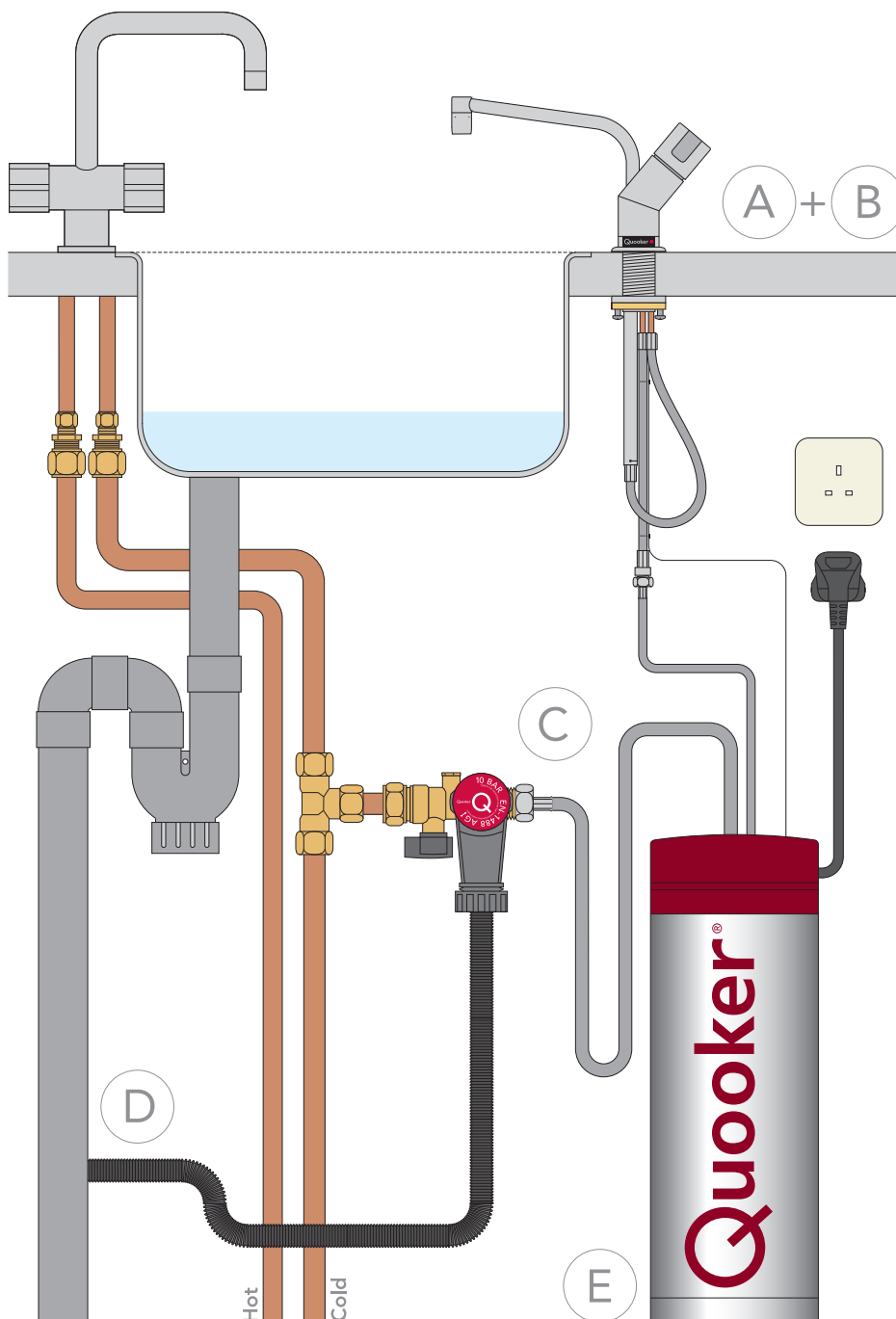
1. Quooker tank
2. Quooker tap
3. Quooker inlet combination
4. Quooker drill bit, washers, PVC nipple and drain hose
 - Quooker brochure, installation guide and 'Tips for use'



Overview of Quooker installation

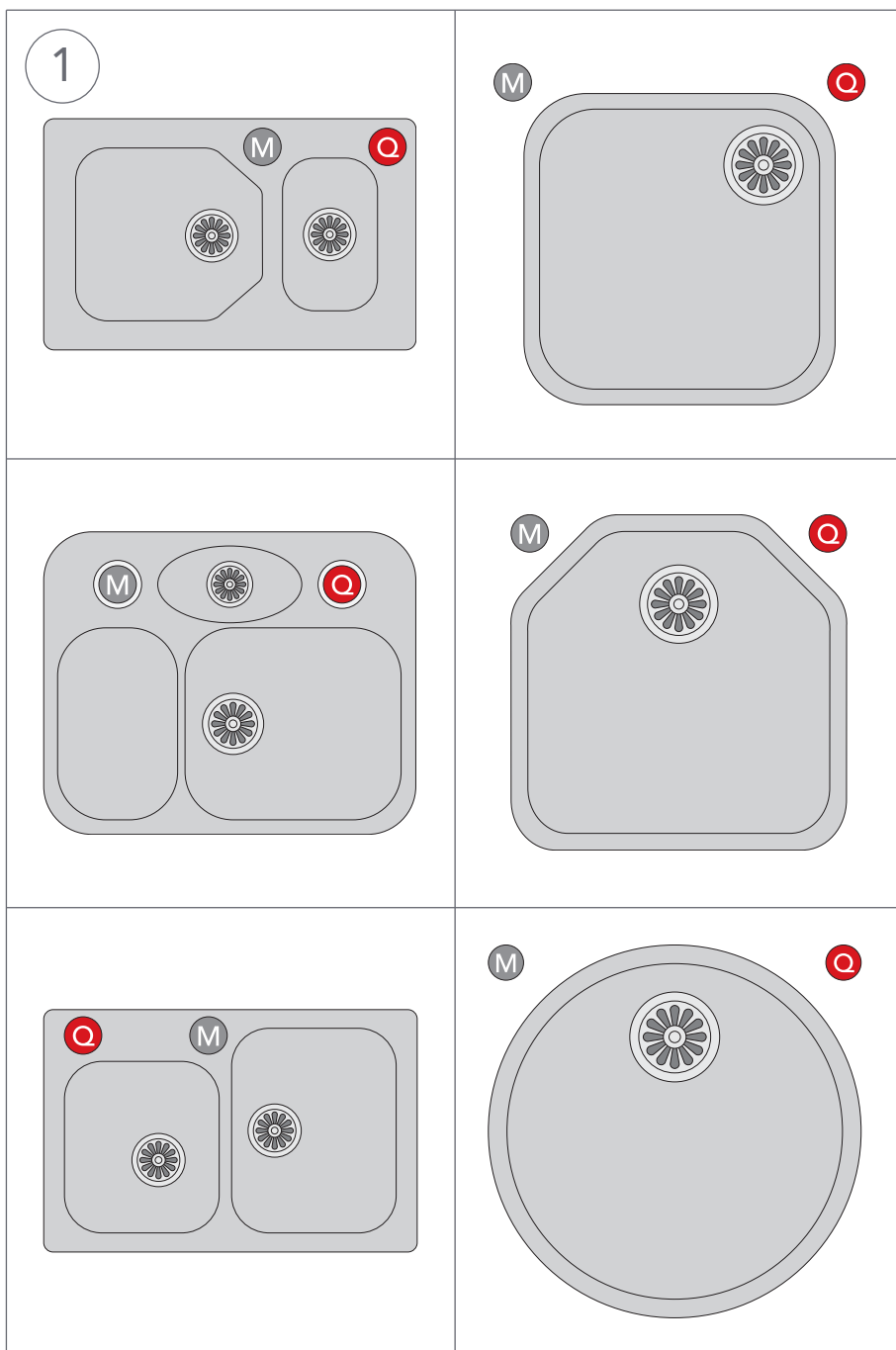
It is recommended that you install the Quooker in the following order:

- A. Drill hole
- B. Fit tap
- C. Connect water
- D. Connect drain
- E. Connect tank



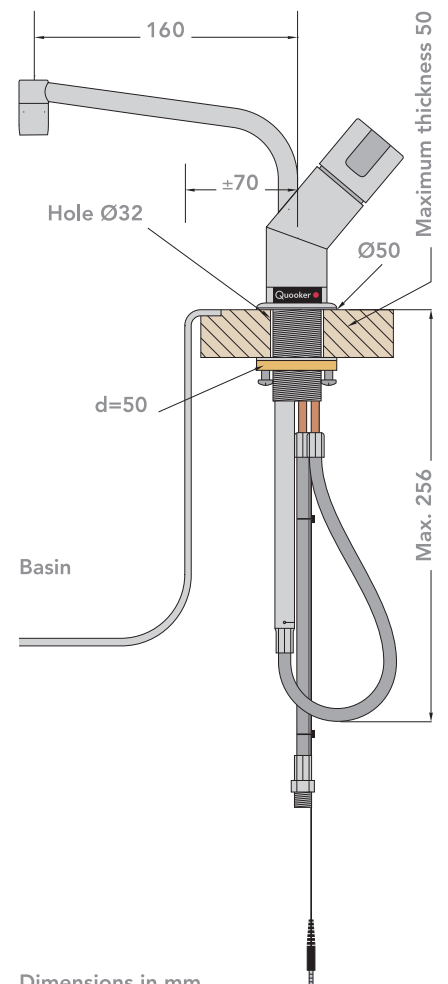
A Drilling hole

- The tap should be located in one corner of the basin(s).
- Note: It must be possible to move the tap outlet freely up and down. When the outlet is in its lowest position it projects approx. 25 cm below the sink. Bear this in mind when fitting the inlet combination, sockets and the like.
- The radius of the outlet is a good 16 cm from the centre of the tap hole, which determines how far the outlet extends into the basin.



1 Drilling hole

Allowing for the basin and the mixer tap, select a suitable location for the Quoker tap (see examples). Using the correct drill bit, drill a hole of 32 mm in the sink.

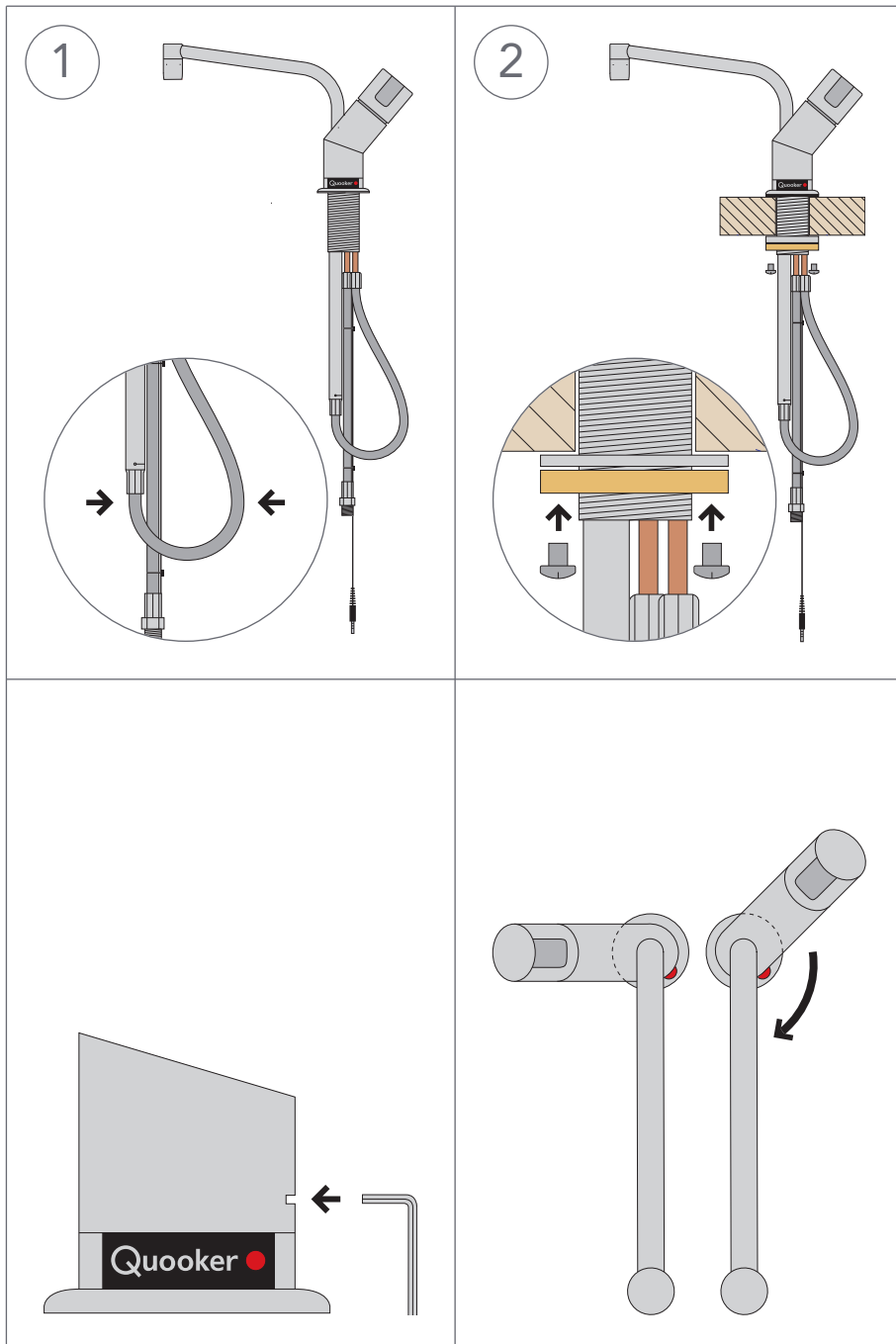


Dimensions in mm

B

Fitting tap

- Note: The total length of the boiling water hose is only 50 cm. The tank must therefore be fitted close to the tap. An extension hose is available but is not normally required.



1 Tap through sink

Loosen the brass sink nut. Clinch the loop in the hose and remove the sink nut and the loose metal ring. Push the tap through the hole in the sink. Fit the rubber ring between the tap and the sink.

2 Tightening screws

Set the tap to the desired position and tighten the screws in the sink nut.

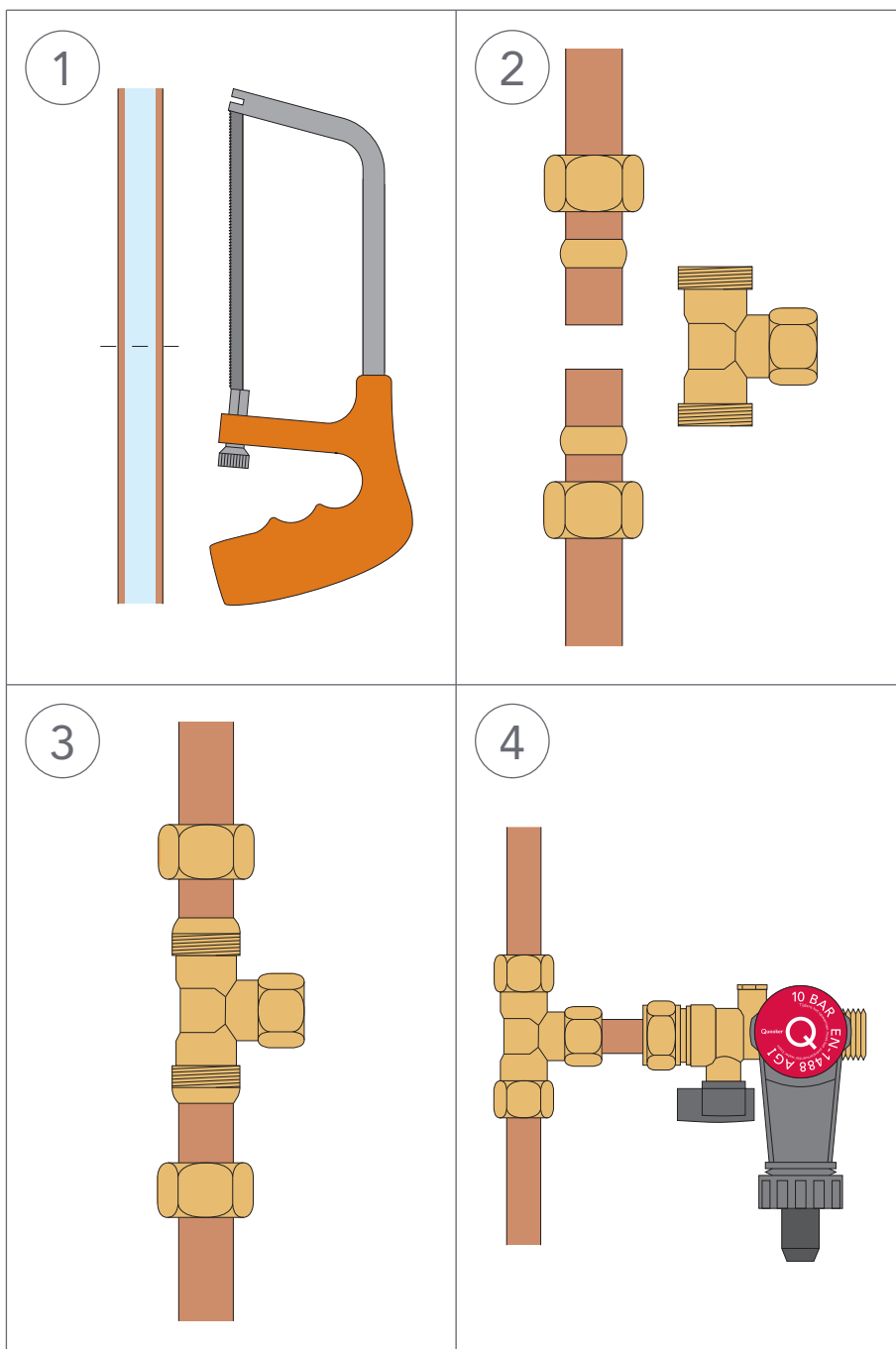
Only if necessary!

A hex head bolt (key width 2 mm) enables the tap to be twisted if necessary. Loosen the hex head bolt. Viewed from above turn it clockwise as far as the stop. Then turn back a few degrees so that the tap outlet is able to move freely up and down. Then retighten the hex head bolt.

C

Connecting water

- Note: The Quooker operates under water supply pressure and must always be fitted with the inlet combination (supplied).
- The Quooker boiling-water tap must be connected according to the locally applicable regulations.
- Position the inlet combination at such a height that the difference in height between it and the drain is the maximum possible to allow the expansion water to run off (see D4).



1 Cutting through cold water pipe

Cut through the cold water pipe at a suitable point.

2 Making space for T-piece

3 Connecting T-piece

Position the T-piece between the pipe sections and tighten the clamping nuts.

4 Fitting the inlet combination

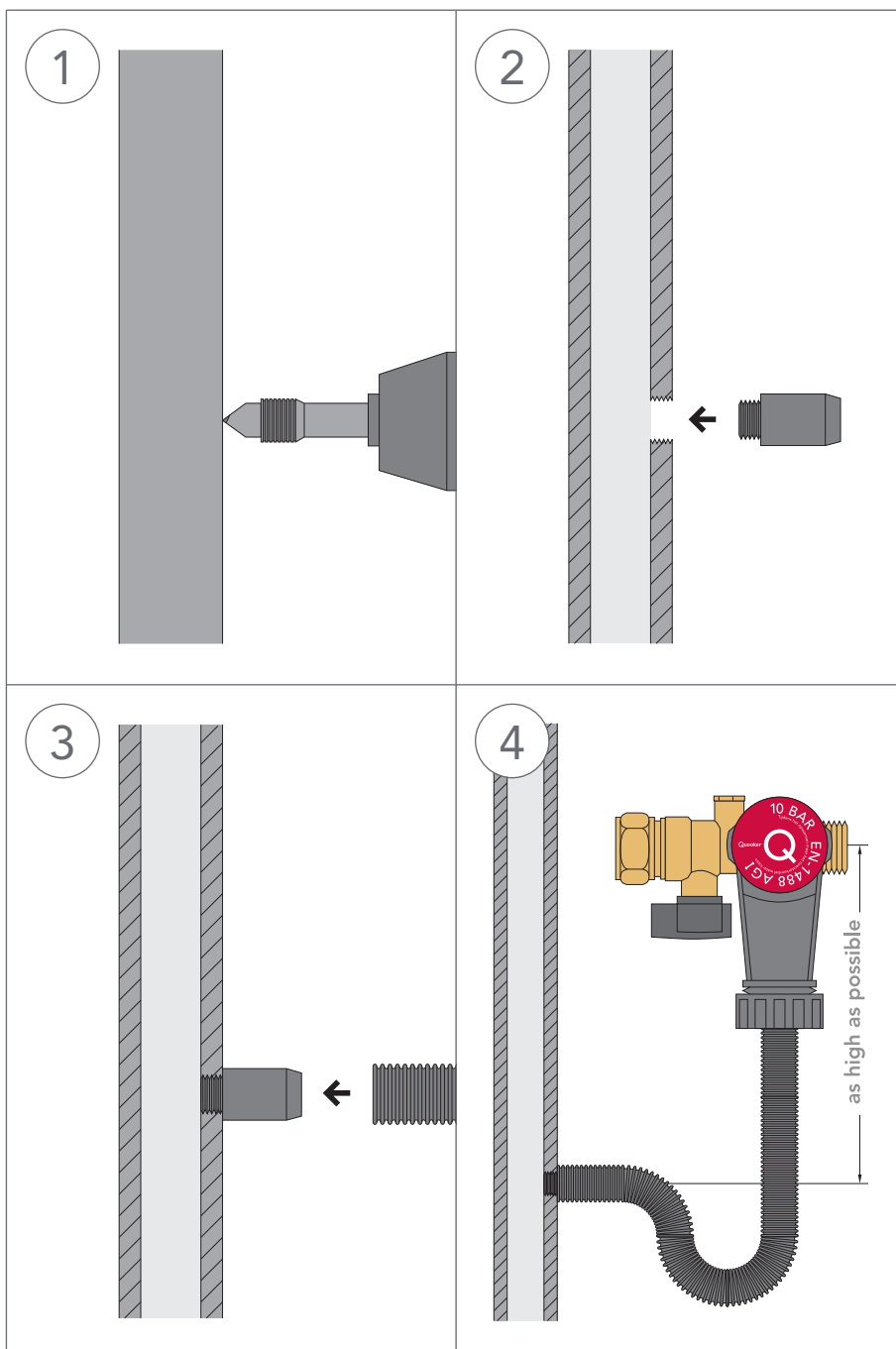
Connect the inlet combination to the T-piece with a copper tube (15 mm).

D

Connecting drain

The Quooker tank releases expansion water via the inlet combination during heating, this water is being fed into the grey funnel. The funnel can easily be connected to the drain by means of the drain hose supplied. The drilling kit also supplied can be used to make a connection to the drain pipe.

Try to keep the difference in height between the inlet combination and the connection to the drain as large as possible, to keep the drain water from flowing back.



1 Drilling hole

Using the drill bit supplied, drill and tap in one operation a threaded hole in the grey PVC drain pipe. Drill slowly so that the PVC does not melt. Turn back anticlockwise to preserve the thread.

2 Screwing in nipple

First try to screw the nipple in the hole before fitting permanently with PVC glue.

3 Hose to drain

Slide the drain hose over the PVC nipple.

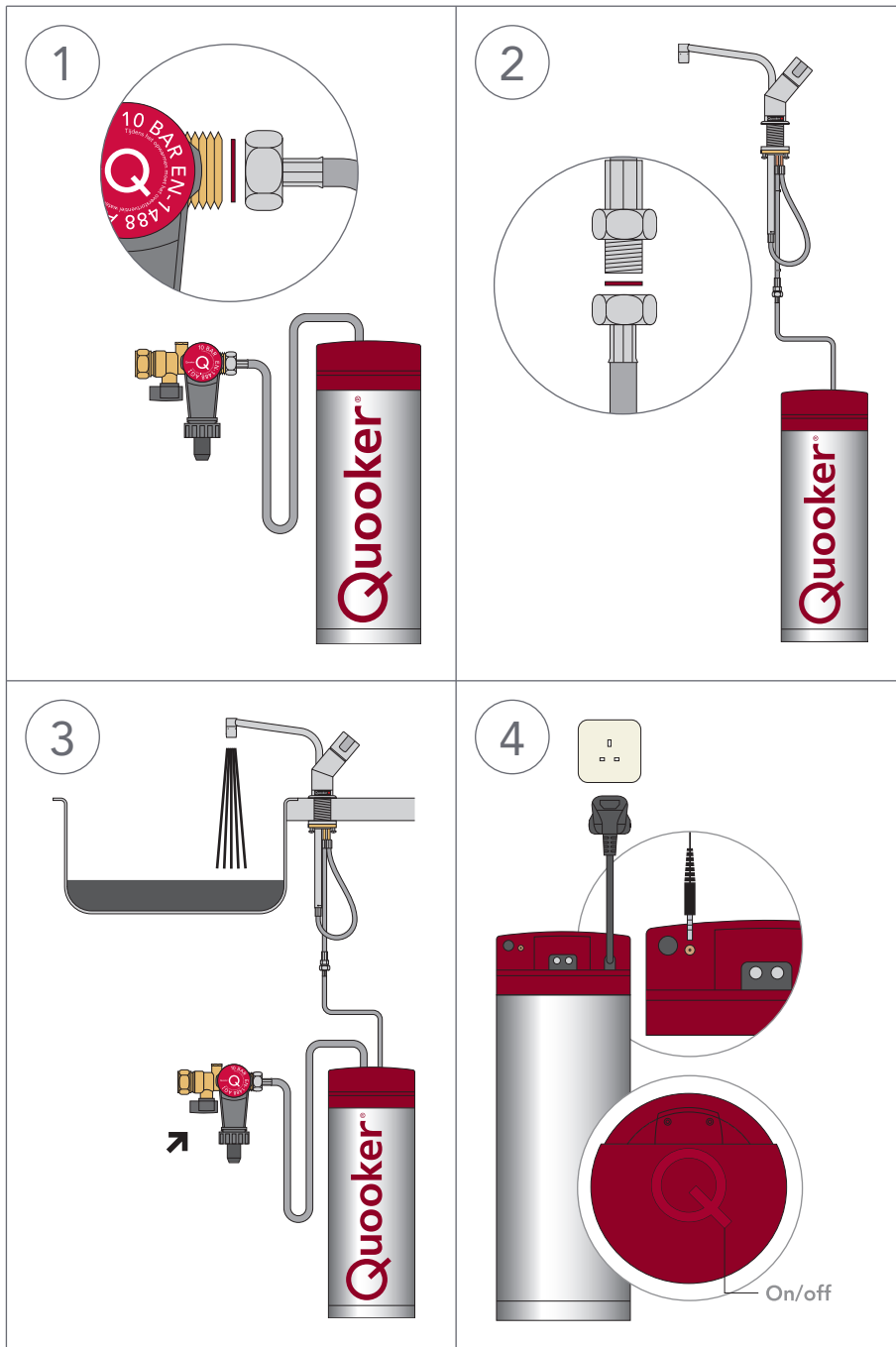
4 Hose on inlet combination

Connect the other side of the hose with a suspended bend to the funnel of the inlet combination. This will create a water lock to prevent smells from the drain pipe.

E

Connecting tank

- Note: Do not switch on the Quooker until the tank is filled with water.
- The Quooker tank is supplied with a 3-core mains cord with earthed plug.
- The Quooker tap is fitted with an indicator lamp which indicates whether or not the heating element is heating.
- If the mains lead is damaged it should be replaced by the manufacturer, their agent or a qualified technician to prevent a hazard.



1 Connecting tank

Place the Quooker in position and connect it to the inlet combination with the fibre ring supplied.

2 Connecting tap

Connect the other short hose to the tap in the same way with the ring supplied.

3 Flushing tank

Open the Quooker tap. Now open the main tap and the tap of the inlet combination. Check for leaks.

Flush the Quooker through for a few minutes until the water is clear.

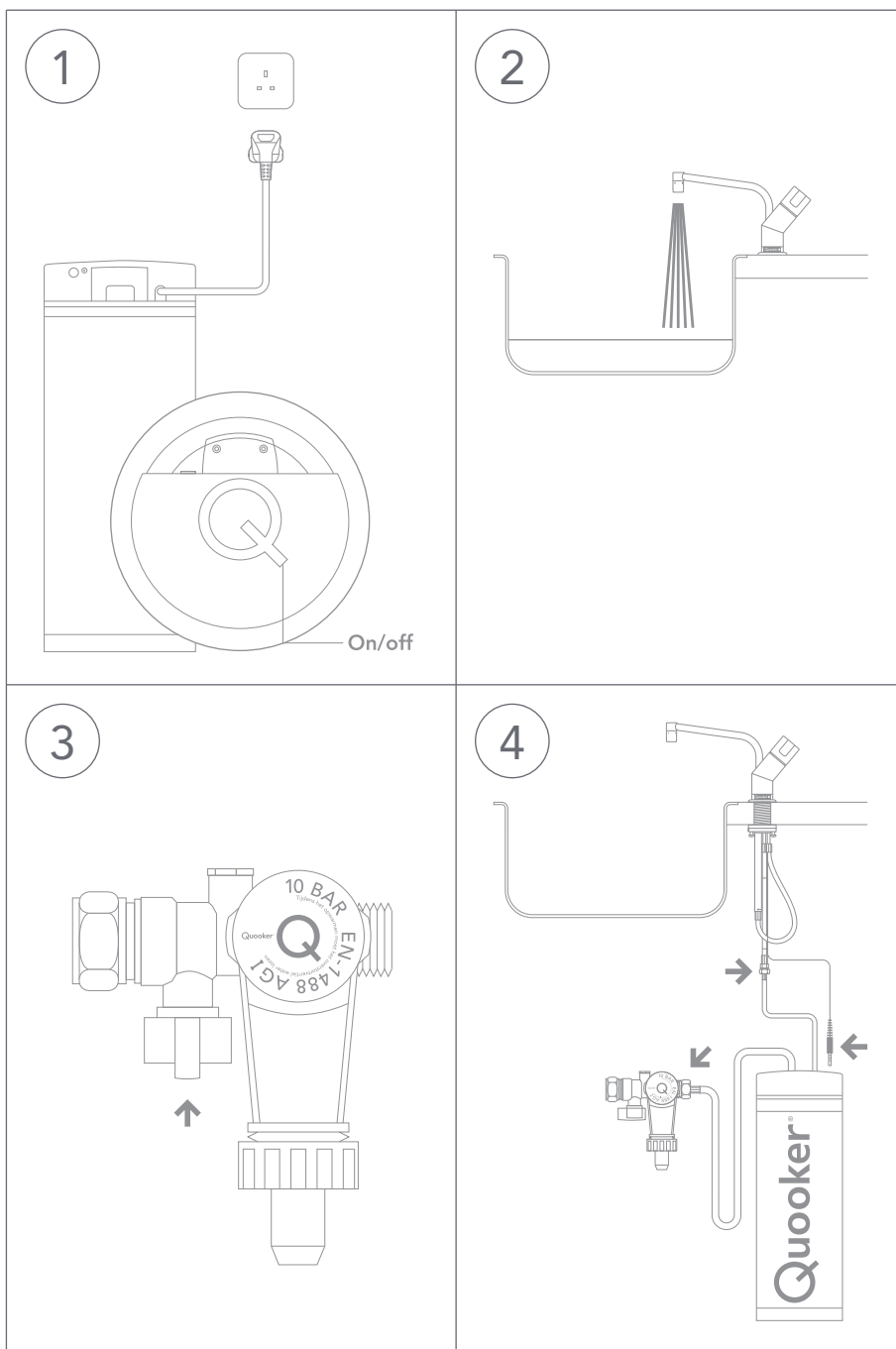
Black water will flow out first. This is Norit carbon from the filter and is, incidentally, completely harmless.

4 Electrical connection

To connect the indicator lamp insert the plug into the hole provided. Connect the tank to an earthed socket and do not switch it on until the tank is filled with water. The 'Q' button on top of the tank is the on/off - switch. After the Quooker has heated up, the entire content of boiling water must be flushed out once before use.

F

Disconnecting the tank



1 Switch off

Set the power switch off and remove the plug from the outlet.

2 Draining

Open the Quooker tap and leave the water running until it is cold (10-15°C).
ATTENTION: initially the water will be extremely hot.

3 Isolating

Close the main water valve or the stop valve of the inlet combination. Check that the Quooker is depressurised by opening the Quooker tap again. If it is depressurised no water will flow out of it.

4 Disconnecting

Unscrew the hoses and pull the LED cable from the top cover. Drain the unit into the sink.



www.quooker.co.uk